

SCIENCE

Time: 1 hour 40 mins

INSTRUCTIONS TO CANDIDATES (Read these instructions carefully.)

1. You have been given this question booklet and a separate answer sheet. The question booklet contains 50 questions.
2. Do any necessary rough work in this booklet.
3. When you have chosen your answer, mark it on the ANSWER SHEET, not in the question booklet.

HOW TO USE THE ANSWER SHEET.

4. Use an ordinary pencil only.
5. Make sure that you have written on the answer sheet:-

YOUR NAME

NAME OF YOUR SCHOOL

6. By drawing a dark line inside the correct numbered boxes, mark your full Index Number (i.e. School Code Number and the three-figure Candidate's Number) in the grid near the top of the answer sheet.
7. Do not make any marks outside the boxes.
8. Keep your answer sheet as clean as possible and do not fold it.
9. For each of the questions 1-50, four answers are given. The answers are lettered A, B, C, D. In each case, only ONE of the four answers is correct. Choose the correct answer.
10. On the answer sheet, show the correct answer by drawing a dark line inside the box in which the letter you have chosen is written.

Example:-

In the Question Booklet:

16. The following are ways of conserving water **except**

- A. shading B. recycling
C. decanting D. harvesting

The correct answer is C.

On the Answer sheet:

16. [A] [B] [C] [D] 15. [A] [B] [C] [D] 17. [A] [B] [C] [D] 18. [A] [B] [C] [D]

In the set of boxes number 16, the box with letter C printed in it is marked.

11. Your dark line **MUST BE** within the box.
12. For each question, **ONLY ONE** box is to be marked in each set of four boxes.

This question paper consists of 7 printed pages.

TURN OVER

1. A child suffering from anaemia should be fed on food rich in
- A. proteins
 - B. iron
 - C. vitamin D
 - D. calcium

2. Valves in human body are found in
- A. veins and capillaries.
 - B. heart and arteries.
 - C. heart and veins.
 - D. veins and arteries

3. The diagram below shows a human tooth.



The tooth is used for

- A. cutting and biting.
 - B. chewing and grinding
 - C. crushing and cutting.
 - D. holding and tearing.
4. Among the following effects of abusing drugs, which one is a social effect?
- A. Truancy
 - B. Fits
 - C. Lack of concentration
 - D. Withdrawal
5. The surrounding of a living thing make its
- A. home
 - B. habitat
 - C. environment
 - D. dwelling place
6. Which one of the following is a physical change in girls **only** during adolescence?
- A. Wet dreams.
 - B. Increase in weight and height.
 - C. Chest broadens.
 - D. Menstruation periods.

7. The method of food preservation that make bacteria inactive is
- A. smoking
 - B. salting
 - C. drying
 - D. use of low temperatures

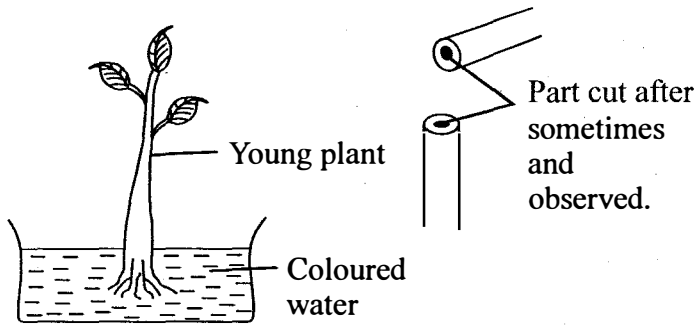
8. Which among the following drugs is prohibited in Kenya when abused?
- A. Khat
 - B. Cobbler's glue
 - C. Alcohol
 - D. Tobacco

9. Which one of the following animals is **not** correctly matched with its products?
- | | |
|------------|---------------|
| A. Cattle | Beef |
| B. Sheep | Milk |
| C. Goat | Mutton |
| D. Chicken | Eggs and meat |

10. The amount of medicine to be taken at a time is called
- A. prescription
 - B. treatment
 - C. vaccine
 - D. dosage

11. Which pair below consists of use of water for recreation activities **only**?
- A. Skiing and fountains.
 - B. Cooling machines and cleaning.
 - C. Fishing and surfing.
 - D. Boat racing and irrigation.

12. Std. 5 pupils carried out the experiment below.



The pupils were **most** likely investigating

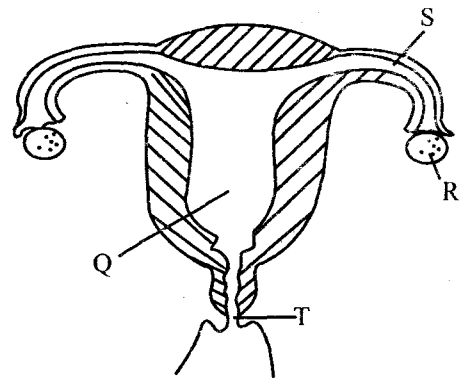
- A. absorption
 - B. transportation
 - C. photosynthesis
 - D. breathing
13. Among the following substances, which one has a definite mass, definite volume but no definite shape?
- A. Ice
 - B. Water vapour
 - C. Toothpaste
 - D. Sawdust
14. The addictive substance found in tobacco is called
- A. carbon dioxide
 - B. nicotine
 - C. tar
 - D. carbon monoxide
15. The blood vessel through which deoxygenated blood flows to the heart is called
- A. Aorta
 - B. Pulmonary vein
 - C. Venacava
 - D. Pulmonary artery

16. The third step in the process of seed germination is
- A. seed swells
 - B. testa burst opens
 - C. seed absorbs water
 - D. radicle emerges

17. The soil that cracks when dry also
- A. does not make ribbons
 - B. has the best capillarity
 - C. has the best drainage
 - D. has coarse texture

18. Which part of a flower protects the flower when in the bud stage?
- A. Sepals
 - B. Petals
 - C. Style
 - D. Anthers

19. The diagram below shows a female reproductive system.



In which part labelled above **does** fertilization take place?

- A. Q
- B. S
- C. R
- D. T

20. The best grazing method for a farmer to use in an area with many people and a small piece of land is
- A. zero grazing
 - B. tethering
 - C. paddocking
 - D. strip grazing

21. The planet that has a ring around it is called
- A. Venus
 - B. Jupiter
 - C. Saturn
 - D. Mars

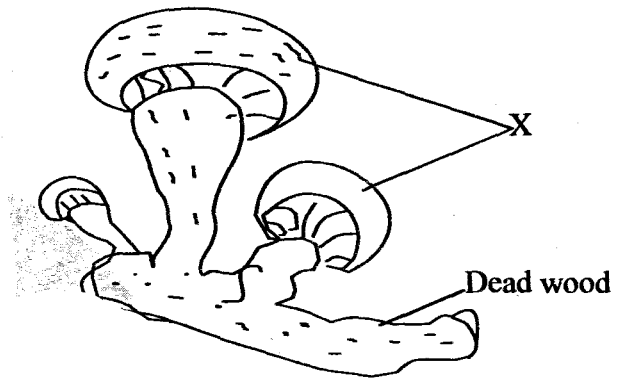
22. A bottle top made of metal floats on water because of its
- A. size
 - B. shape
 - C. weight
 - D. type of material

23. Vaccination against measles in infants is usually done at
- A. birth
 - B. nine months
 - C. the age of $2\frac{1}{2}$ months
 - D. the age of five years

24. Three of the following plants are insectivorous plants **except**
- A. Pitcher plants
 - B. Venus fly trap
 - C. Water lily
 - D. Bladderwort

25. Which pair of plants below has a tap root system?
- A. Kales and grass.
 - B. Avocado and coconut.
 - C. Sunflower and maize.
 - D. Blackjack and beans.

26. The diagram below shows an interdependence in plants.

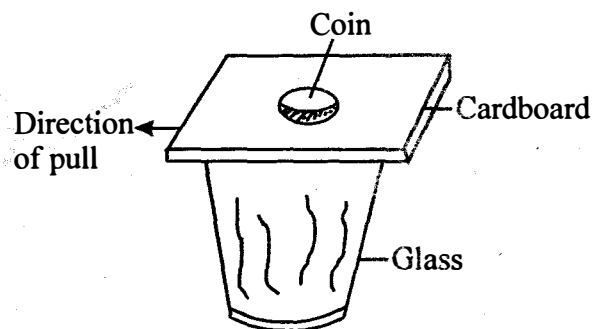


The plants labelled X are known as

- A. parasites
 - B. creepers
 - C. fungi
 - D. saprophytes
27. Which of the following diseases is immunizable but **not** communicable?
- A. Malaria
 - B. Tuberculosis
 - C. Tetanus
 - D. Measles
28. In a food chain plants are referred to as
- A. primary consumers
 - B. secondary consumers
 - C. tertiary consumers
 - D. primary producers

29. A beam balance is used to
- determine force of an object.
 - measure mass of an object.
 - balance objects.
 - determine the force of gravity acting on an object.
30. Which one of the following is **not** an internal livestock parasites?
- Flea
 - Roundworm
 - Liverfluke
 - Tapeworm
31. Left ventricle of the human heart has thick muscles because
- it receives blood under high pressure.
 - it pumps blood under high pressure to body parts.
 - it pumps blood to the lungs for oxidation.
 - the walls prevent it from bursting due to pulse.
32. The following are characteristics of animals. Which one is for reptiles and mammals?
- Have varying body temperature.
 - Breathe by means of lungs.
 - Lay eggs.
 - Have scales.
33. The two components of the environment that plants and animals depend on directly are
- soil and air.
 - air and water.
 - light and food.
 - heat and light.

34. The amount of medicine to be taken at a time is called
- prescription
 - treatment
 - vaccine
 - dosage
35. The following materials are needed when carrying out an experiment on pressure in liquids **except**
- nail
 - tin
 - wax
 - collecting jar
36. The diagram below shows a set up used by std. 6 pupils.



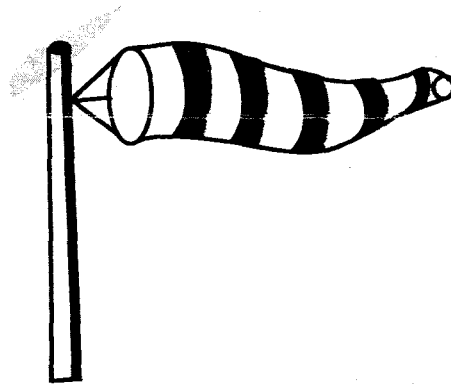
What were the pupils investigating?

- Inertia of motion.
 - Force of gravity.
 - Frictional force.
 - Inertia of rest.
37. The gas that occupies 78% of the air is used in
- making fizzy drinks.
 - making plants proteins.
 - making plants food.
 - making light bulbs.

38. The component of blood that transport digested food round the body is
- red cells
 - plateletes
 - plasma
 - white cells
39. All the following are natural sources of light except
- the sun
 - the moon
 - glow worms
 - the stars
40. In which part of the alimentary canal does absorption of water and mineral salts take place?
- Small intestines
 - Large intestines
 - Rectum
 - Stomach
41. In a child, which one of the following types of teeth is the last one to be shed?
- Molar
 - Incisor
 - Premolar
 - Canine
42. Which one of the following types of soil erosion occurs without being noticed by a farmer?
- Gulley erosion
 - Sheet erosion
 - Splash erosion
 - Rill erosion

43. The quantity of matter in an object is known as
- mass
 - density
 - pressure
 - weight
44. Which crop pest damages the crops by sucking sap from leaves?
- White ant
 - Cutworm
 - Aphid
 - Stalkborer

45. The diagram below shows a weather instrument.



Which principle does the above instrument use to work? That

- matter occupies space.
- matter expands when heated.
- air rises when blown into the sock.
- air is always in motion.

46. All the following are fodder crops **except**

- A. kales
- B. sweet potatoes
- C. napier grass
- D. star grass

47. Which characteristic is for plants **only**?

- A. They reproduce.
- B. They grow.
- C. They make their own food.
- D. They react to changes.

48. Fibre crops are crops that are grown **mainly**

for

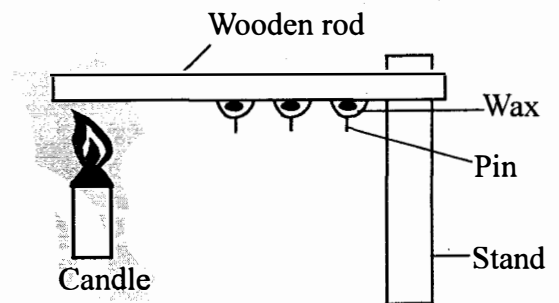
- A. oil
- B. threads
- C. roughages
- D. food

49. A certain disease is characterized by fever, blood in urine, skin rash and itching bowel.

The disease is **likely** to be

- A. bilharzia
- B. malaria
- C. typhoid
- D. cholera

50. The set up below was used by std.5 pupils.



The experiment did **not** work because

- A. pupils used heavy wax.
- B. the pins were too far from the candle.
- C. pupils used a wooden rod.
- D. the pins were too light.